

# Technical data sheet

## Product features



### Cooking range electric with electric static oven

<b>Model</b>	<b>SAP Code</b>	00014789
--------------	-----------------	----------



- Device type: Electric unit
- Type of internal part of the appliance 1 (eg oven): Electric
- Type of internal part of the appliance 2 (eg oven): Static
- Protection of controls: IP24
- Material: AISI 304 top plate and cladding

<b>SAP Code</b>	00014789	<b>Power electric [kW]</b>	21.900
<b>Net Width [mm]</b>	1200	<b>Loading</b>	400 V / 3N - 50 Hz
<b>Net Depth [mm]</b>	730	<b>Type of internal part of the appliance 1 (eg oven)</b>	Electric
<b>Net Height [mm]</b>	900	<b>Type of internal part of the appliance 2 (eg oven)</b>	Static
<b>Net Weight [kg]</b>	139.00		

# Technical data sheet

Technical drawing

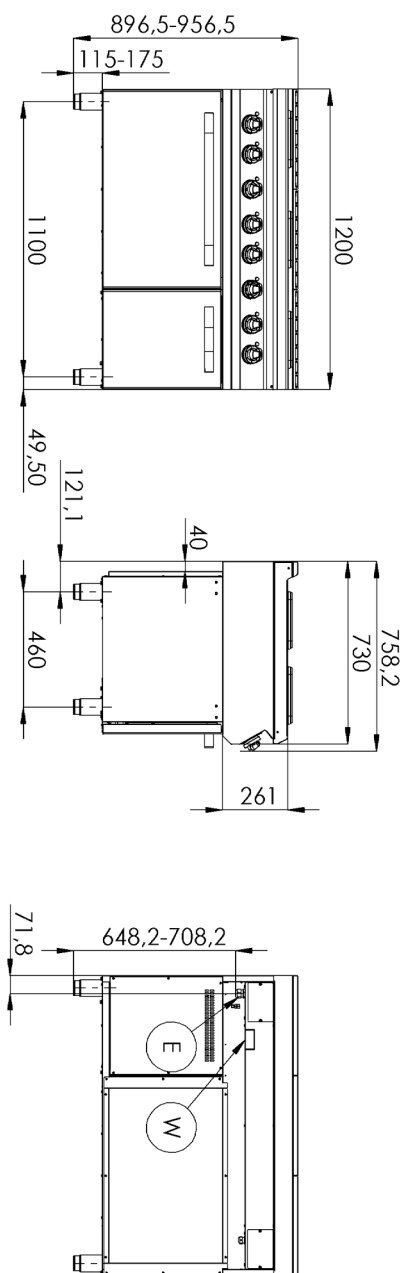


Cooking range electric with electric static oven

Model

SAP Code

00014789



# Technical data sheet

Technical parameters



## Cooking range electric with electric static oven

**Model**

**SAP Code**

00014789

**1. SAP Code:**

00014789

**2. Net Width [mm]:**

1200

**3. Net Depth [mm]:**

730

**4. Net Height [mm]:**

900

**5. Net Weight [kg]:**

139.00

**6. Gross Width [mm]:**

1260

**7. Gross depth [mm]:**

820

**8. Gross Height [mm]:**

1080

**9. Gross Weight [kg]:**

155.00

**10. Device type:**

Electric unit

**11. Construction type of device:**

Stationary

**12. Power electric [kW]:**

21.900

**13. Loading:**

400 V / 3N - 50 Hz

**14. Protection of controls:**

IP24

**15. Device color:**

Stainless steel

**16. Material:**

AISI 304 top plate and cladding

**17. Indicators:**

operation

**18. Worktop type:**

Molded - comfortable cleaning maintenance

**19. Worktop material:**

AISI 304

**20. Worktop Thickness [mm]:**

1.50

**21. Maximum device temperature [°C]:**

400

**22. Minimum device temperature [°C]:**

50

**23. Adjustable feet:**

Yes

**24. Number of burners/hot plates:**

6

**25. Type of electric cooking zones:**

Squared

**26. Oven Type:**

electrical static

**27. Oven power electric [kW]:**

6.30

**28. Oven size:**

GN 2/1

# Technical data sheet

Technical parameters



## Cooking range electric with electric static oven

**Model**

**SAP Code**

00014789

**29. Oven material:**

Stainless steel

**32. Gasket:**

Yes

**30. Type of internal part of the appliance 1 (eg oven):**

Electric

**33. Maximum temperature of the inner chamber [Å°C]:**

300

**31. Type of internal part of the appliance 2 (eg oven):**

Static

**34. Minimum temperature of the inner chamber [Å°C]:**

50